

Unit Information

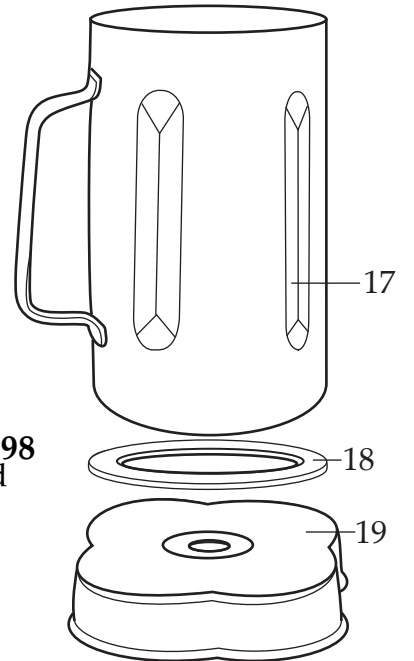
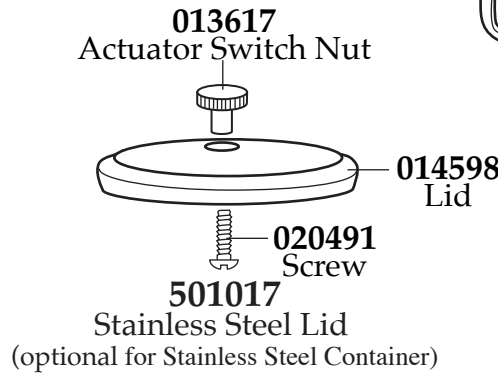
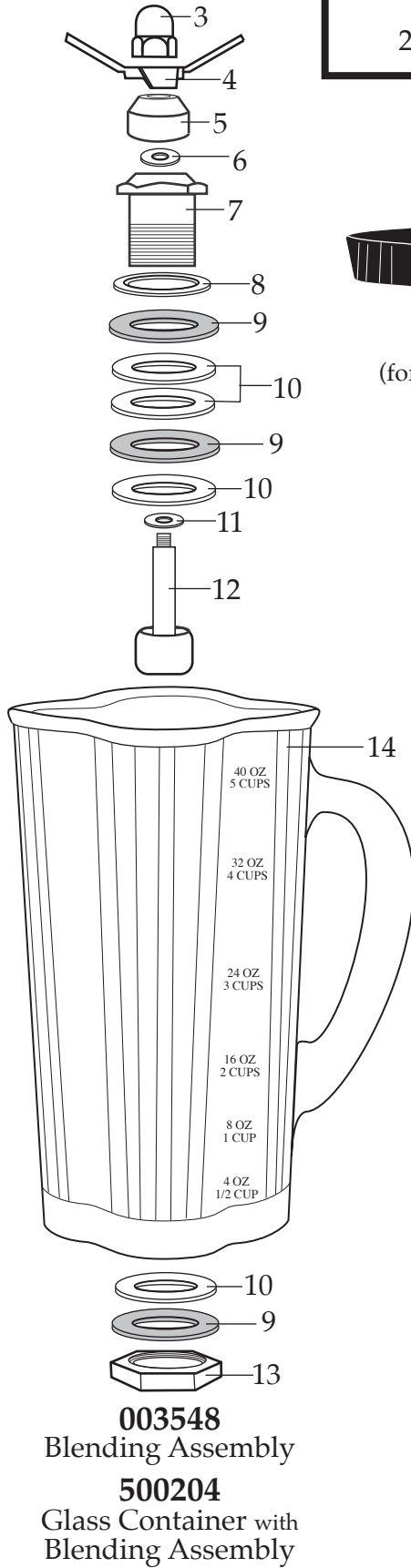
220-240V – 50/60Hz – 400W
 (on units after 5/8/2015)
 230V – 50Hz – 375W



Europe Variable Speed Blenders

LB20EG / glass container

LB20ES / stainless steel container



003548
Blending Assembly

500758
Stainless Steel Container
with Blending Assembly

008065
Stainless Steel Container
with Blending Assembly
and Vinyl Lid

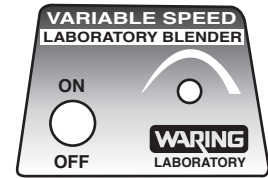
WARING COMMERCIAL

Base Unit Components LB20EG LB20ES

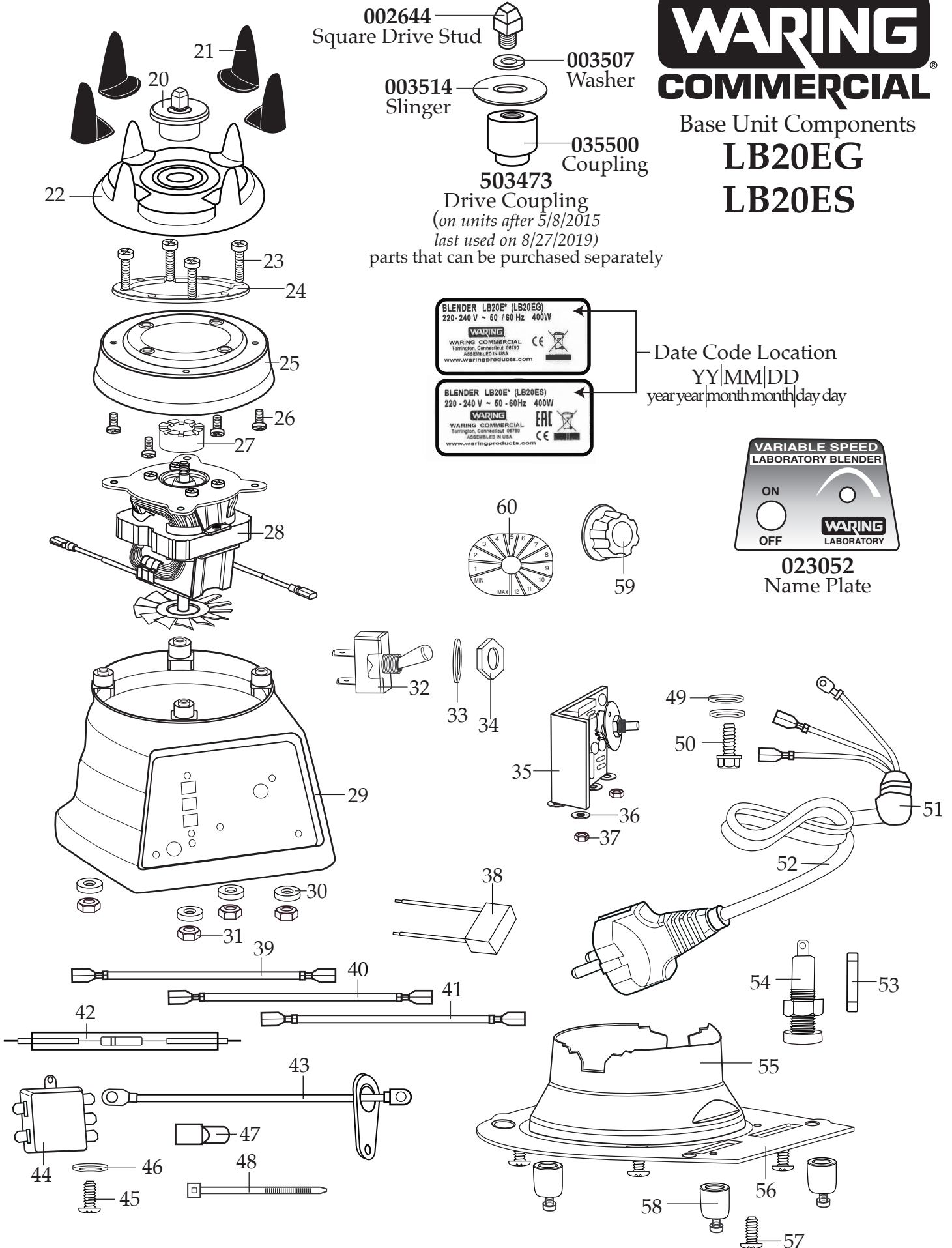
- 002644 Square Drive Stud
 - 003507 Washer
 - 003514 Slinger
 - 035500 Coupling
 - 503473 Drive Coupling
*(on units after 5/8/2015
last used on 8/27/2019)*
- parts that can be purchased separately



Date Code Location
YY|MM|DD
year year|month month|day day



023052
Name Plate



Catalog

LB20EG

LB20ES (on units after 5/8/2015) (on units after 4/6/2001)

220-240V- 50/60Hz - 400W 230V - 50Hz - 375W

Model

Same

38BL67



Illustration#	Part#	Description
1	003146	Center Lid
2	003574-09	Outer Lid (changed after 3/13/2007)
3	027862	Cap Nut (on units after 7/2/2021)
	003504	Cap Nut
4	024204	Blade (changed after 7/11/2006)
5	003503	Bearing Cap
6	003508	Fairprene Washer
7	010012	Bearing Holder
8	009724	Nylon Washer
9	003537	Stainless Steel Washer (3 required)
10	003509	Neoprene Washer (4 required)
11	003510	Bakelite Washer
12	003500	Drive Shaft
13	009780	Hex Nut
14	003573	40 oz. Glass Container (5 cups)
15	011700	Center Lid (on units after 8/11/2011)
	003146	Center Lid
16	013443	Round Outer Lid
17	012860	32 oz. Stainless Steel Container
18	009762	Gasket
19	015055	Container Adapter
20	503530	Drive Coupling Assembly (on units after 8/27/2019)
	503473	Drive Coupling Assembly (on units after 9/9/2016)
	002518	Drive Coupling Assembly
21	003498	Jar Pad (4 required)
22	018996	Jar Holder / painted white on units after 7/22/2021)
	018996	Jar Holder / plated
23	035411	Screw (4 required on units after 9/9/2016)
	012370	Screw (4 required)
24	035357	Upper Spacer (on units after 5/8/2015 last used on 8/27/2019)
	016610	Half Baffle (2 required)
25	017283	Plated Motor Bracket
26	033787	Sems (4 required on units after 3/23/2017)
27	019936	Housing Seal (on units after 8/27/2019)
	035339	Housing Seal (on units after 9/9/2016)
	019936	Housing Seal
28	037044	Chiaphua Motor Modified (on units after 8/27/2019)
	035058	Chiaphua Motor (on units after 5/8/2015)
	026536	ECM Motor (on units after 5/5/2009)
	024147	ECM Motor (changed after 6/5/2001)

Catalog**Model**

LB20EG

Same

38BL67

LB20ES

(on units after 5/8/2015) *(on units after 4/6/2001)*

220-240V – 50/60Hz – 400W 230V – 50Hz – 375W



Illustration#	Part#	Description
29	019943	Base
30	002676	Alum. Spacer (4 required <i>on units after 9/9/2016</i>)
31	002881	Keyp Nuts (4 required <i>on units after 5/8/2015</i>) (1 required <i>on units after 4/11/2001</i>) (6 required)
32	036741	On/Off Reverse Keyway Switch <i>(on units after 8/27/2019)</i>
	502735	Toggle Switch Assembly <i>(on units after 6/5/2001)</i>
	502219	Toggle Switch Assembly
33	014604	Lock Washer
34	016236	Hex Nut <i>(changed after 3/10/2010 last used on 8/27/2019)</i>
35	035809	Speed Control <i>(on units after 8/27/2019)</i>
	019394	Speed Control with Potentiometer
36	036801	Special Nylon Washer (4 required <i>on units after 8/27/2019</i>)
	010955	Washer (4 required)
37	015097	Hex Nut (2 required <i>on units after 8/27/2019</i>)
	019181	Screw (4 required)
38	035920	Capacitor Assembly <i>(on units after 9/9/2016)</i>
39	502737	4" Black Lead Assembly (2 required <i>on units after 8/27/2019</i>) (3 required)
40	502767	6" Brown Lead Assembly <i>(on units after 5/8/2015)</i>
41	503569	4" Black Lead Assembly (2 required <i>on units after 8/27/2019</i>)
42	502763	Resistor Assembly <i>(on units after 5/8/2015)</i>
43	501658	10" Green-Yellow Lead Assembly (2 required <i>on units after 9/9/2016</i>)
	501658	10" Green-Yellow Lead Assembly <i>(on units after 5/8/2015)</i>
44	503570	Filter Assembly <i>(on units after 1/23/2019)</i>
	035893	EMI Filter <i>(on units after 9/9/2016)</i>
	503475	EMI Filter Assembly <i>(on units after 5/8/2015)</i>
	502448	EMI Filter Assembly
45	013768	Screw <i>(on units after 8/27/2019)</i>
	019181	Screw (1 required <i>on units after 4/4/2017 last used on 8/27/2019 - 2 required</i>)
46	002943	Washer
47	019123	Large Crimp Connector (2 required <i>(on units after 8/27/2019)</i>)
	012409	Small Crimp Connector (3 required <i>(on units after 8/27/2019)</i>)
	019123	Large Crimp Connector (2 required <i>on units after 9/9/2016</i>)
	019123	Large Crimp Connector (2 required <i>on units after 5/8/2015</i>)
	012409	Small Crimp Connector (2 required <i>on units after 5/8/2015</i>)
	012409	Small Crimp Connector (4 required <i>on units after 2/12/2009</i>)
	012409	Small Crimp Connector (3 required)
48	013731	Cable Tie (5 required)
49	002943	Washer (4 required <i>on units after 9/9/2016</i>)
	002943	Washer (2 required <i>on units after 5/8/2015</i>) – (3 required)

Catalog

LB20EG

LB20ES

(on units after 5/8/2015) (on units after 4/6/2001)
 220-240V – 50/60Hz – 400W 230V – 50Hz – 375W

Model

Same

38BL67

Waring Factory Service Center
 314 Ella T. Grasso Ave.
 Torrington, CT 06790
 Tele. 1-800-269-6640
 Fax 860-496-9017
 www.waringcommercialproducts.com

Illustration#	Part#	Description
50	027278 013659 018317	Ground Screw (2 required on units after 5/8/2015) Screw (2 required on units after 4/11/2001) Screw (2 required)
51	013680	Strain Relief
52	503476 502782 503476 501842	Cord Set (on units after 8/27/2019) Cord Set (on units after 4/4/2017) Cord Set (on units after 5/8/2015) Cord Set
53	035386	4 A Fuse Cartridge (on units after 3/3/2016)
54	035186	Fuse Holder (on units after 3/3/2016)
55	036465	Motor Baffle (on units after 8/27/2019)
56	503559 502736	Bottom Plate with Studs (on units after 8/27/2019) Bottom Plate with Screen
57	013768	Screw (4 required on units after 8/27/2019)
58	503376 002891	Foot & Screw Assembly (3 required on units after 6/28/2010) Foot (3 required uses 003569 screw NO Longer Available use 503376)
59	019270	Potentiometer Knob
60	025665	Increments Overlay

Parts No Longer Used

024377 - Insulating Sleeve (last used on 4/23/2015)

014603 - Locking Ring (last used 5/8/2015)

018455 - Reset Switch (Obsolete)

015184 - Hex Nut (last used 5/8/2015)

010955 - Washer (2 required with EMI Filter) (last used 9/9/2016)

503503 - 9" Blue Lead Assembly (last used on 11/30/2018)

503504 - 6" Brown Lead Assembly (last used on 11/30/2018)

503506 - 6" Green-Yellow Lead Assembly (last used on 11/30/2018)

002644 - Square Drive Stud

003507 - Washer

003514 - Slinger

002882 - Coupling

002518 Drive Coupling (parts that can be purchased separately) (last used 9/9/2016)

016610 - Baffle (2 required) (last used 5/8/2015)

012370 - Screw (4 required) (last used 5/8/2015)

012369 - Kep Nut (4 required) (last used 5/8/2015)

026536 ECM Motor (last used 5/8/2015)

005240 - Screw (4 required) (last used 5/8/2015)

900243 - Insulating Tape (on units after 3/16/2018 last used 8/27/2019)

035989 - Channel Baffle Guard (on units after 4/4/2017 last used 8/27/2019)

016042 - Washer (2 required on units after 3/25/2003 last used on 8/27/2019) – (3 required)

Catalog

LB20EG

LB20ES

(on units after 5/8/2015) (on units after 4/6/2001)

220-240V – 50/60Hz – 400W 230V – 50Hz – 375W

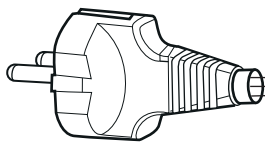
Model

Same

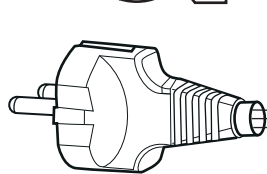
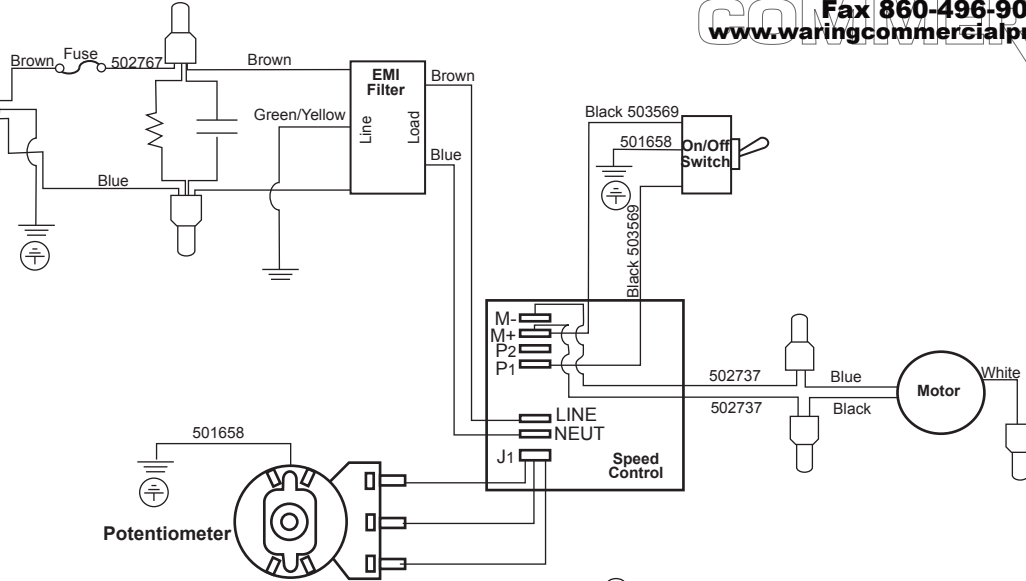
38BL67

Waring Factory Service Center
 314 Ella T. Grasso Ave.
 Torrington, CT 06790
 Tele. 1-800-269-6640

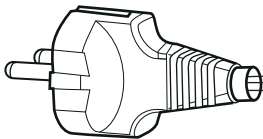
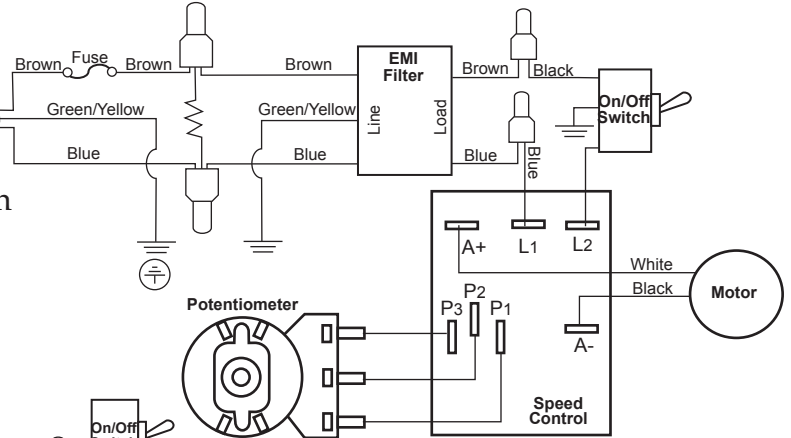
Fax 860-496-9017
 www.waringcommercial.com



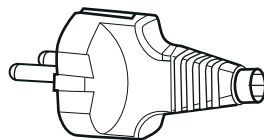
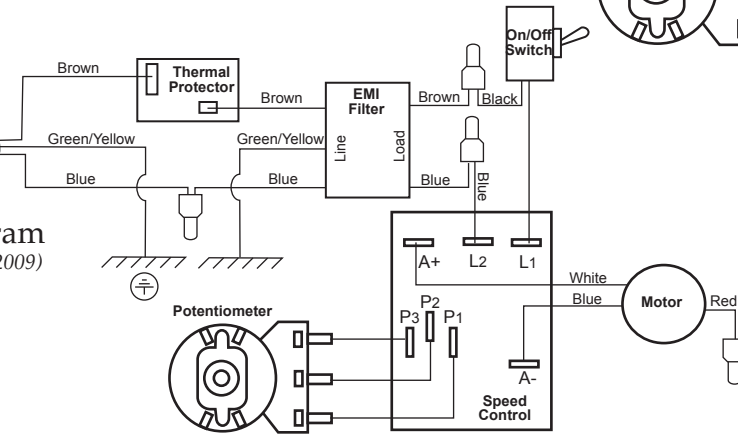
Wiring Diagram
 (on units after 8/30/2019)



Wiring Diagram
 (on units after 5/8/2016)



Wiring Diagram
 (on units after 2/12/2009)



Wiring Diagram

